



# Heavy Duty Security Handset with Magnetic Switches

78-8117-4029-5

## Installation Instructions

### Introduction

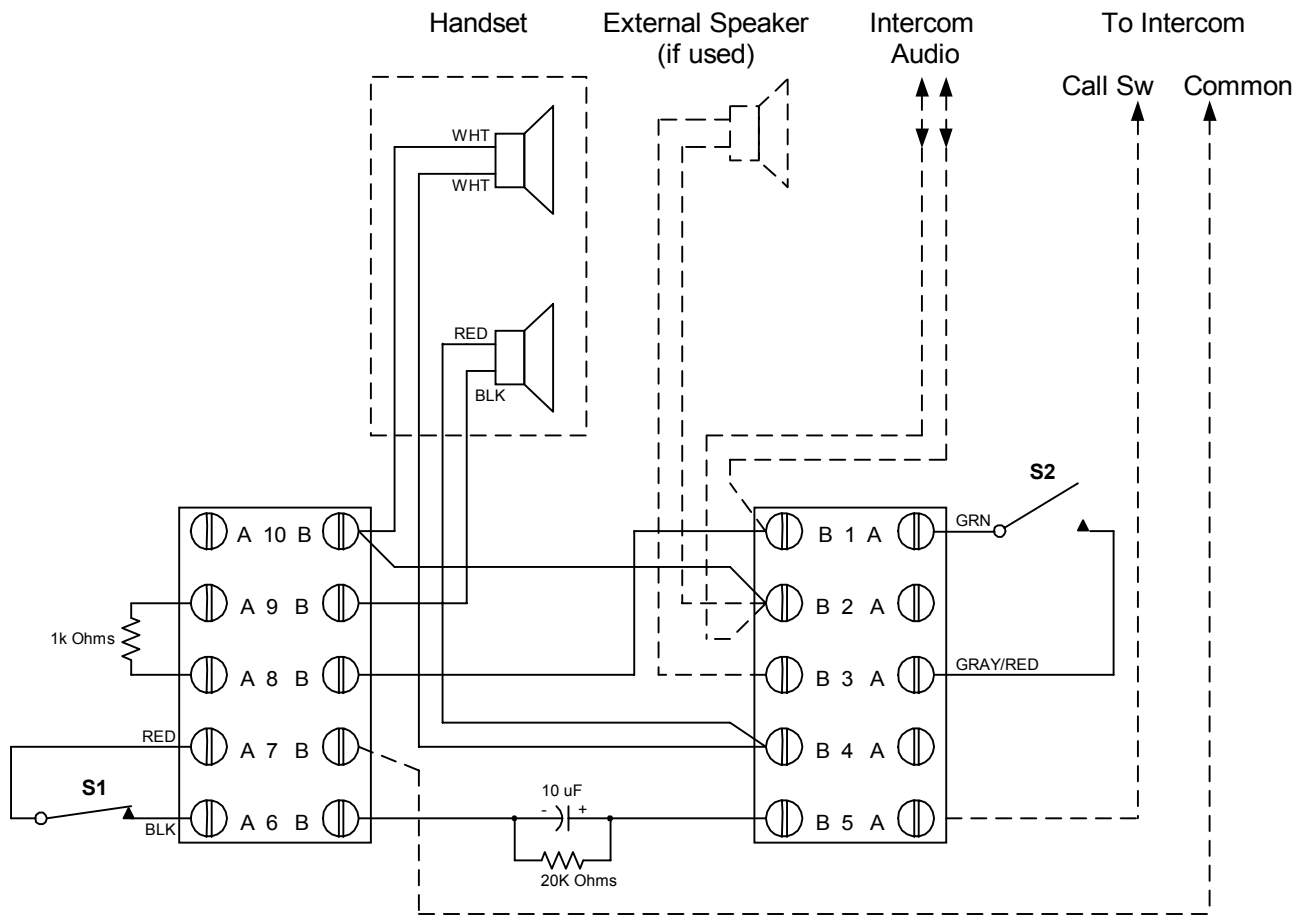
This handset is designed primarily for use in outside (customer) applications. It contains sealed magnetic switches, which replace the open-contact hook switches in the previous model. It is compatible with previous models of Heavy Duty Security Handsets.

### Installation

1. Use the 2-gang standard electrical outlet box (provided) to mount the handset. The outlet box can be either recessed into or surface-mounted on the desired mounting surface.
2. Route the call-switch wires, intercom output wires and external speaker (if used) into the mounted outlet box. If the outlet box is surface-mounted, the wires should be run into the box through an electrical conduit (with the conduit attached to the outlet box).
3. Connect the wires to the terminal strips attached to the cover as shown in Figure 1.
4. Fasten the cover assembly to the electrical outlet box.

### *Wiring Notes*

- Cradle switches S1 and S2 are shown with the handset off-hook.
- Note polarity of Call Switch connections to intercom.
- If outbound volume to the handset needs to be adjusted in relation to a separate outside speaker, change the resistor value between terminals 8A and 9A.
- To provide compatibility with all 3M P-Series and C5000 8 Station Controllers starting with serial number 5108001690 and C5000 16 Station Controllers starting with serial number 5116001308 replace the existing capacitor and resistor connected from handset terminals 6B to 5B with a length of wire. Any C5000 Controller with software revision "CONTROLLER VERSION 2.10", or greater, printed on the microcontroller chip located near the center of the circuit board at reference designator UB1 requires a length of wire to be connected from handset terminals 6B to 5B.
- When connecting a single wire to a terminal strip, which is 22 gauge or less, strip 1/2" of insulation and fold the bare wire over double before inserting.
- When connecting more than one wire to a terminal strip, twist them together first, apply a small amount of solder if desired, and then insert them into the terminal strip.



**Figure 1. Heavy Duty Security Handset with Magnetic Switches**



**Food Services Trade Department**

3M Center  
St. Paul, MN 55144-1000

© 3M February 2001

78-6912-0729-0 Rev. B